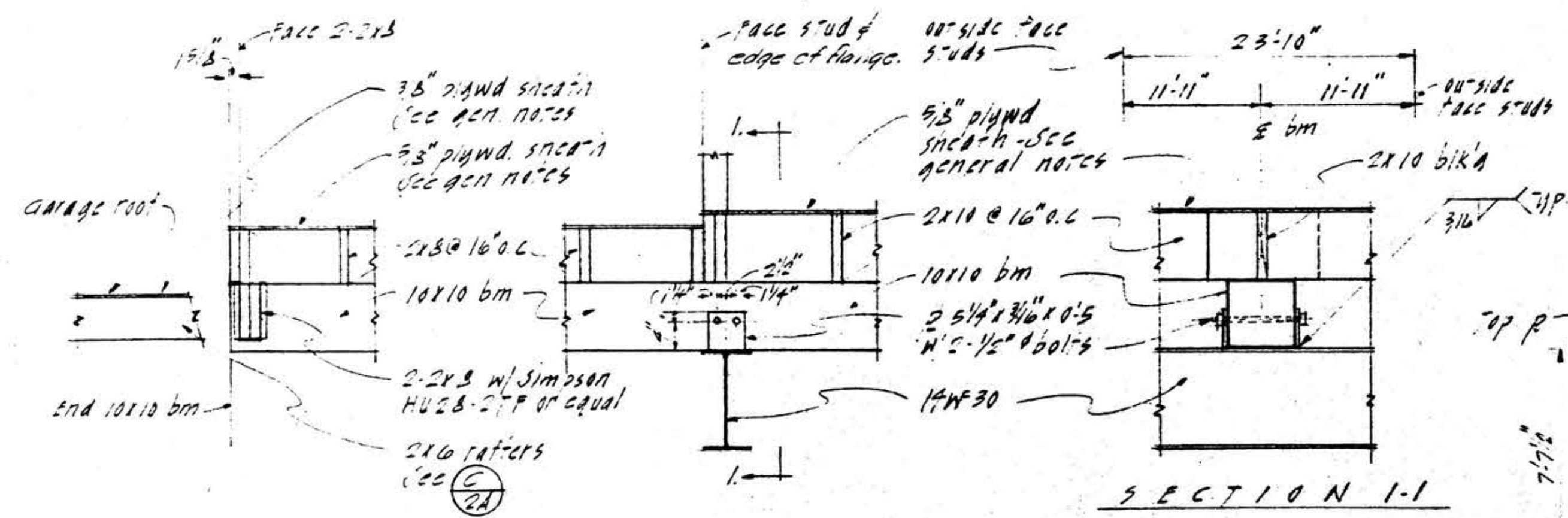
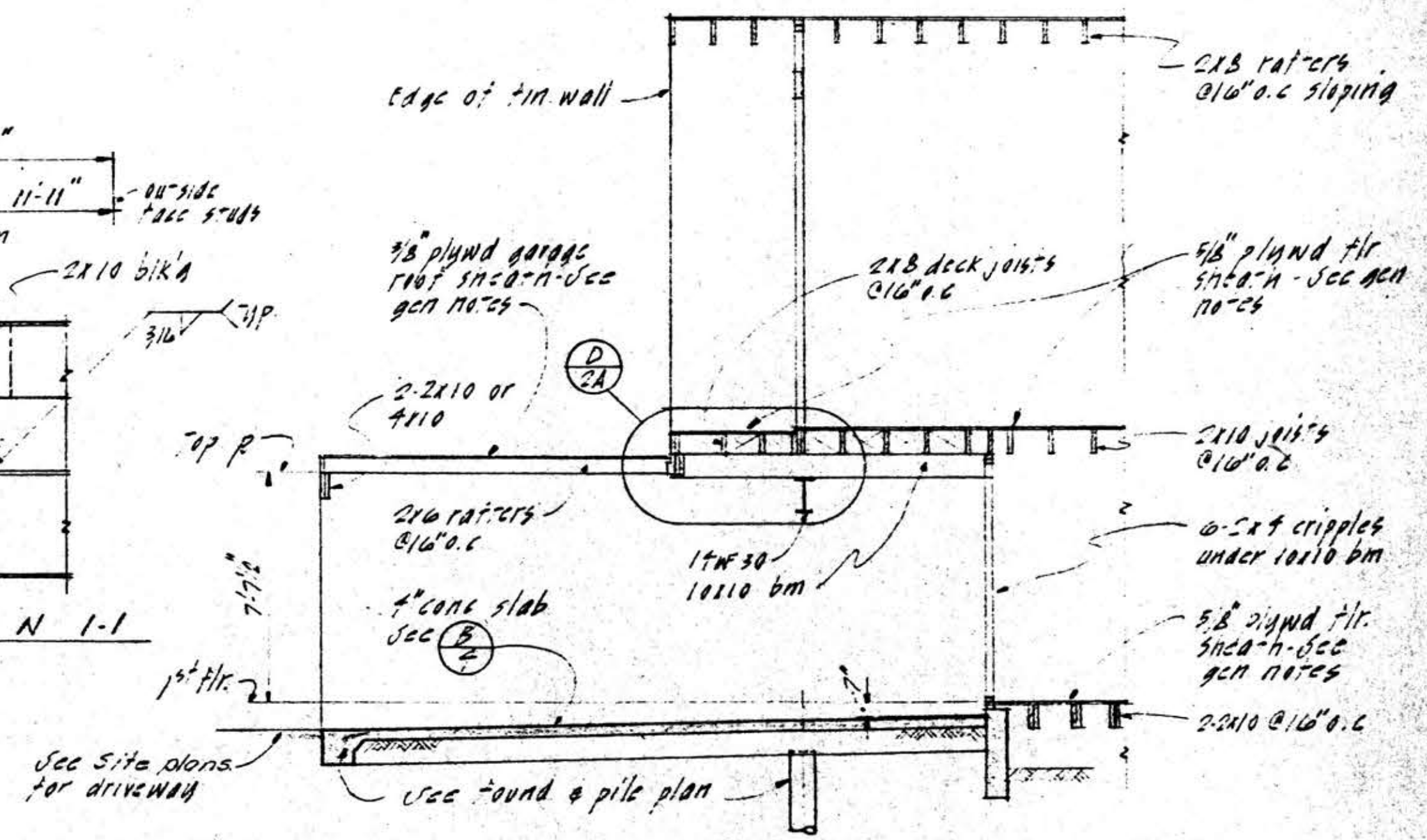


PARTIAL 2ND FLR & GARAGE ROOF FRAMING PLAN  
1/8" = 1'-0"

PARTIAL FOUNDATION PLAN  
1/8" = 1'-0"



SECTION 1-1  
3/4" = 1'-0"



SECTION D-D  
1/4" = 1'-0"