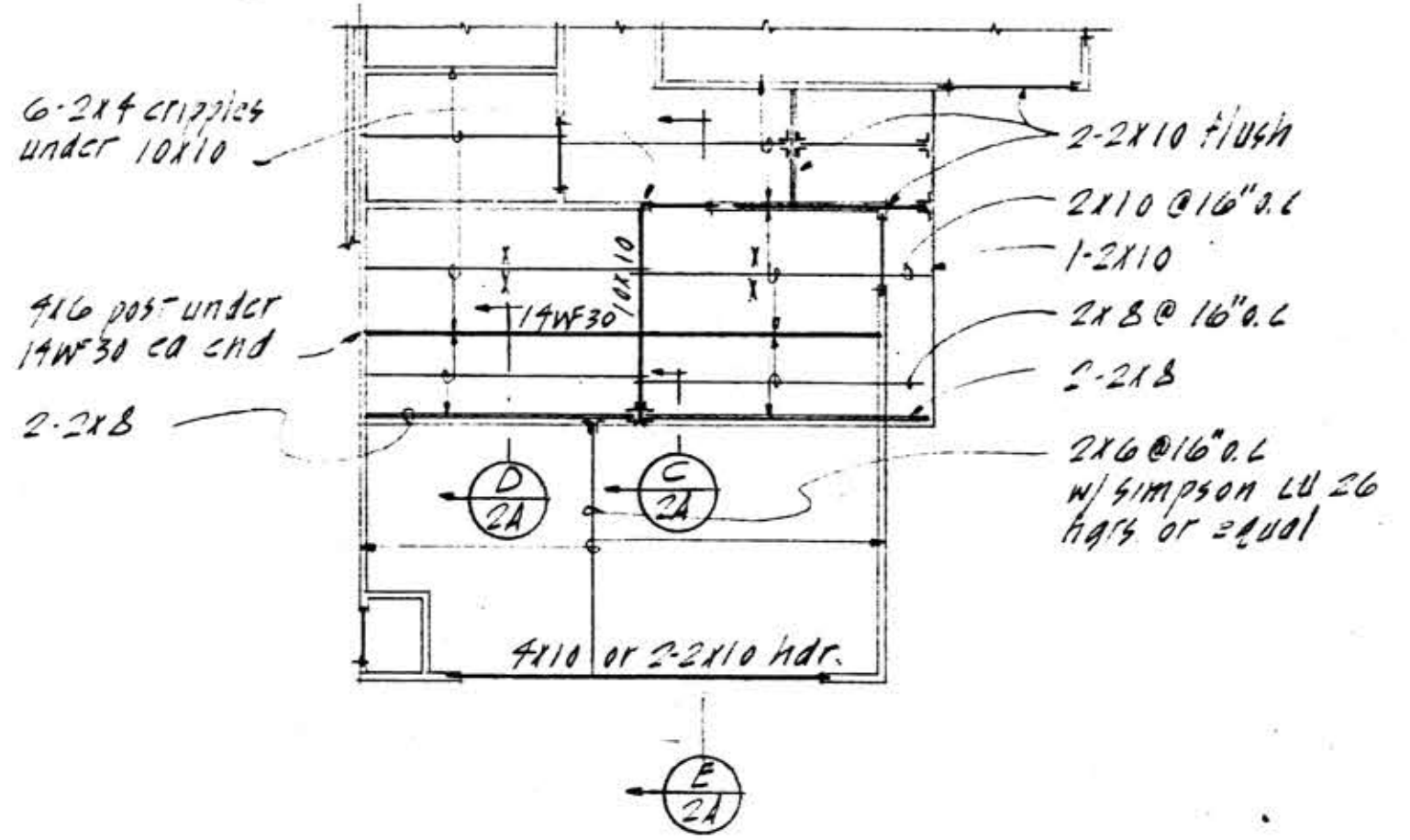
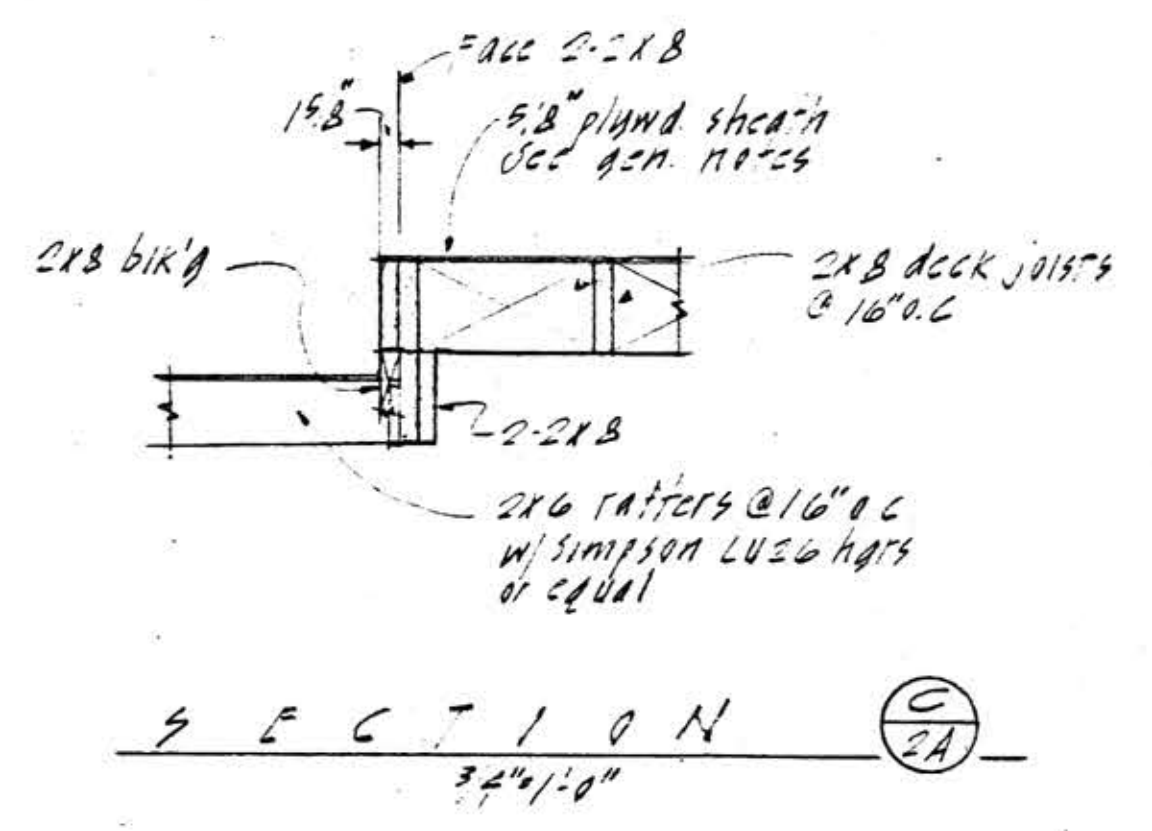


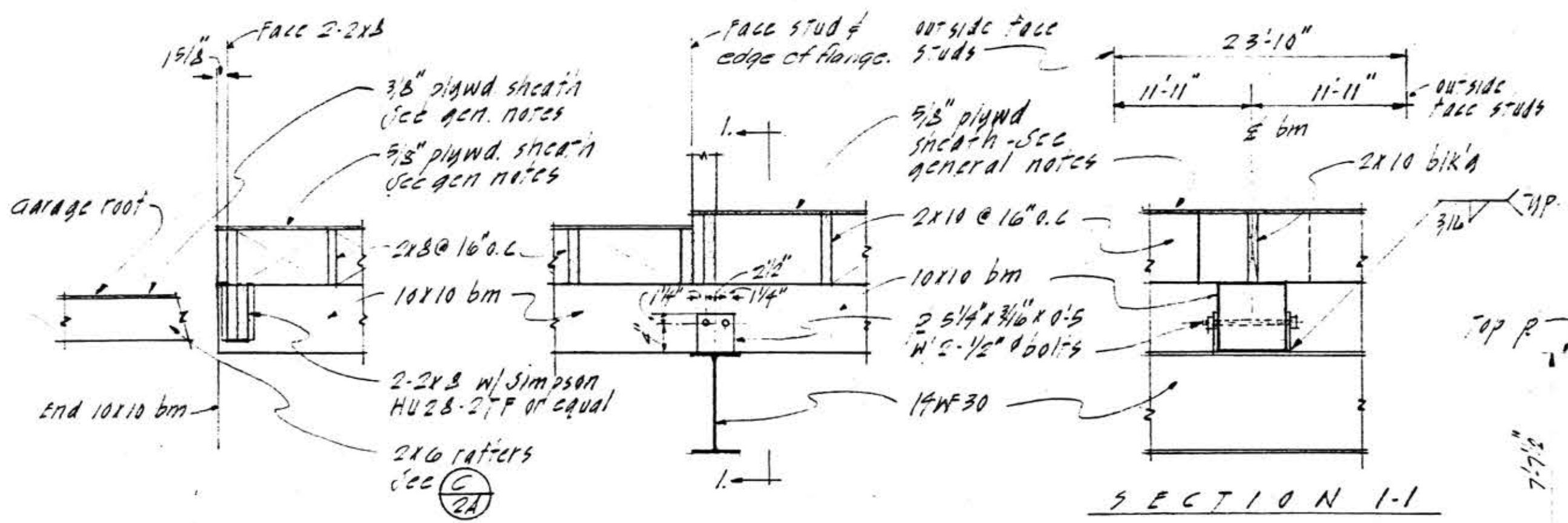
PARTIAL FOUNDATION PLAN
1/8" = 1'-0"



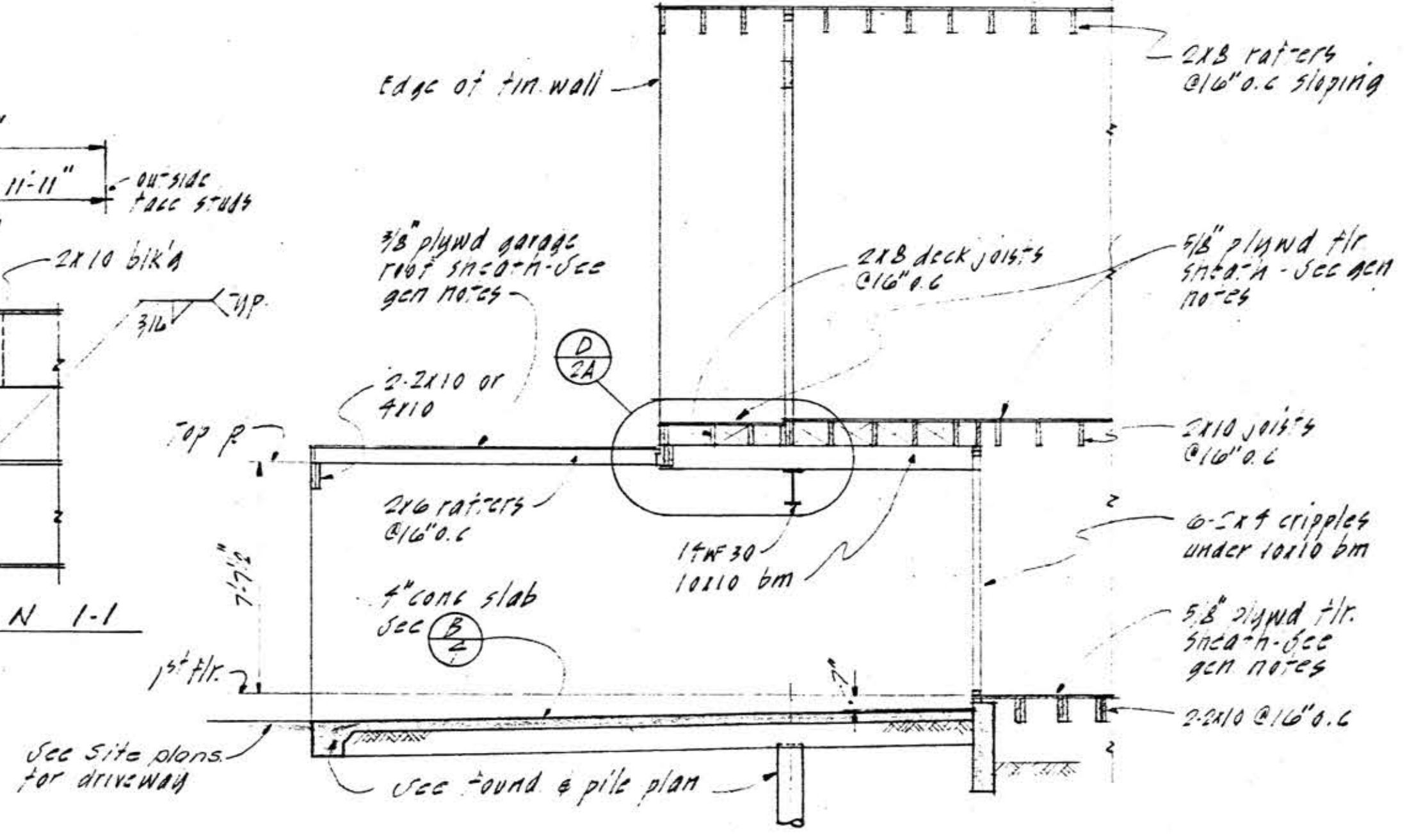
PARTIAL 2ND FLR & GARAGE ROOF FRAMING PLAN
1/8" = 1'-0"



SECTION C-2A
3/4" = 1'-0"



SECTION 1-1
3/4" = 1'-0"



SECTION D-2A
1/4" = 1'-0"

L. F. ROBINSON AND ASSOCIATES STRUCTURAL ENGINEERS 80 STONESTOWN SAN FRANCISCO, CALIF. 94132	JOB NO GB02	BALIENA BAY TOWNHOUSES ALAMEDA, CALIFORNIA	FISHER FRIEDMAN & ASSOCIATES AIA ARCHITECT & PLANNING CONSULTANTS ROBERT J. GEERING AIA ASSOCIATE 242 CALIFORNIA STREET SAN FRANCISCO, CALIF	REVISION - PLAN 0-10 & 0-15 LOTS 3-1, 3-8, 3-9, 3-10 ONLY	SHEET 2A
	DATE 20 MAR. 69				