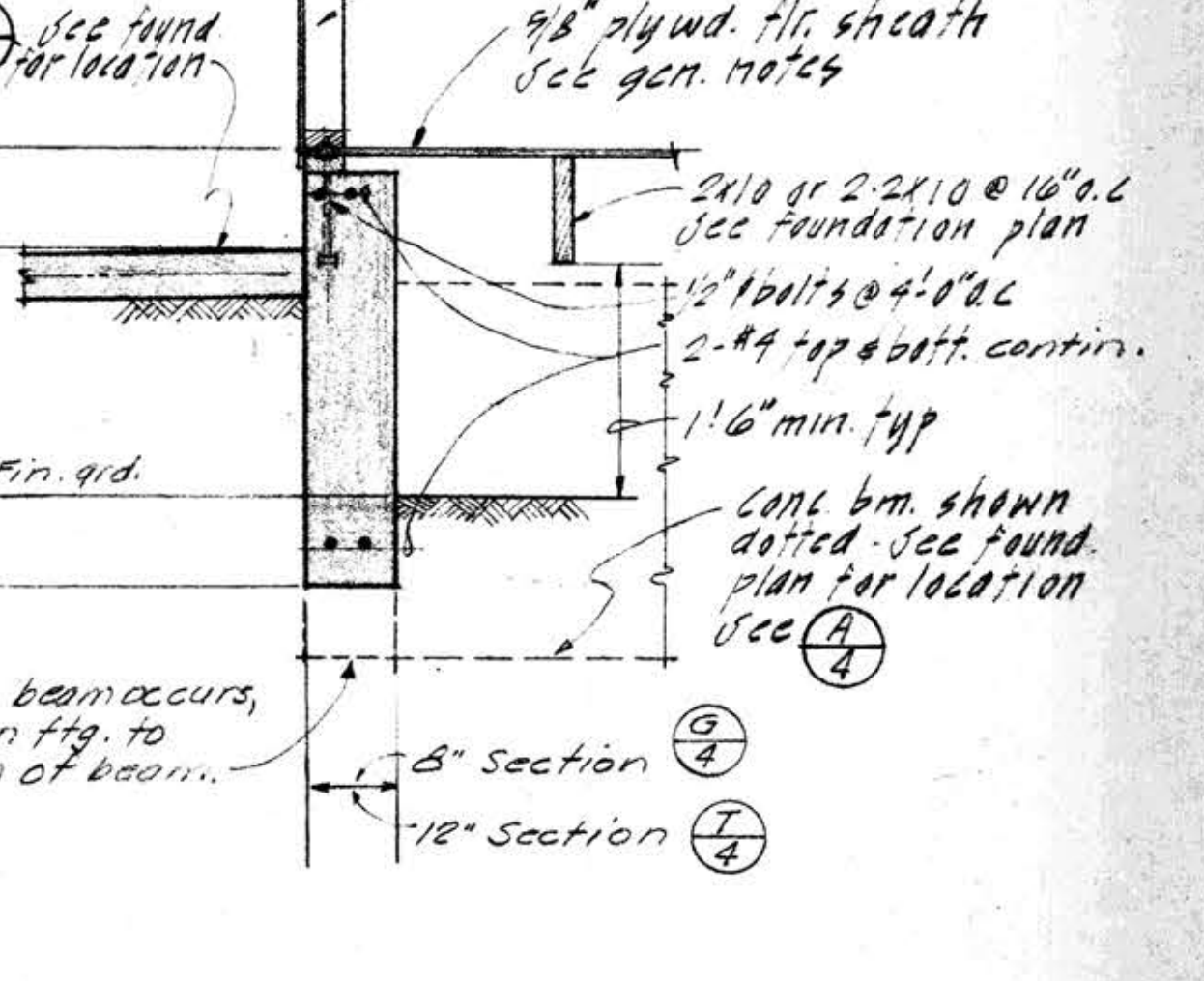
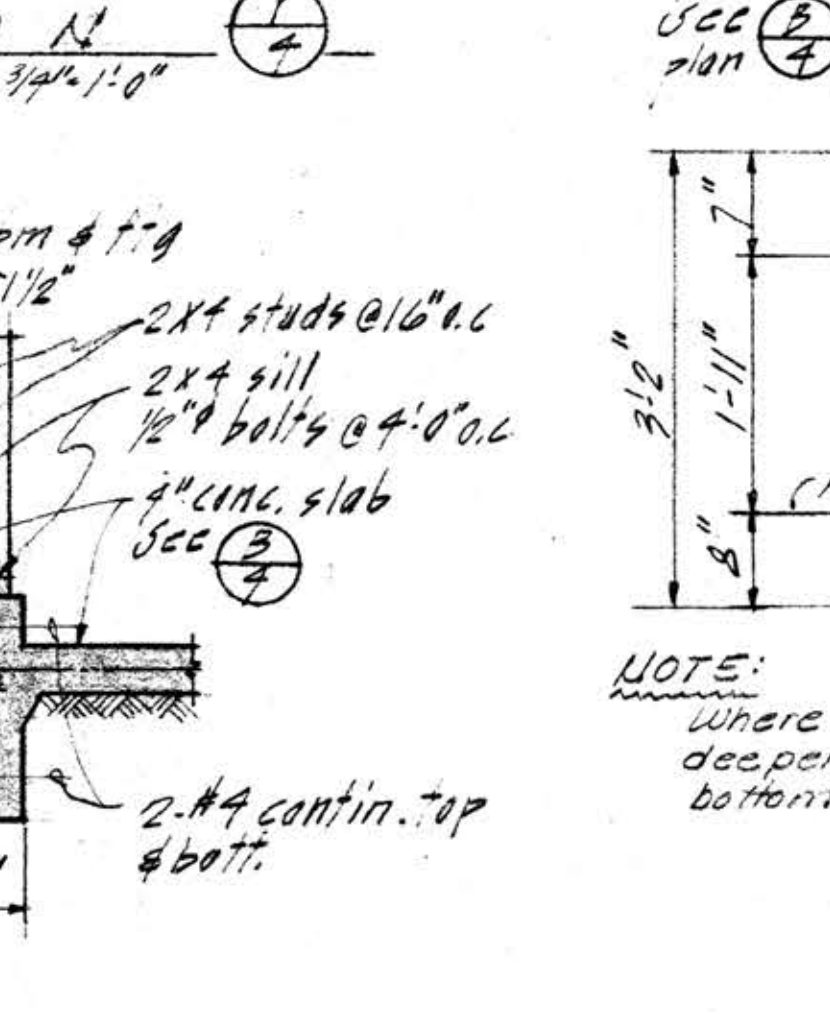
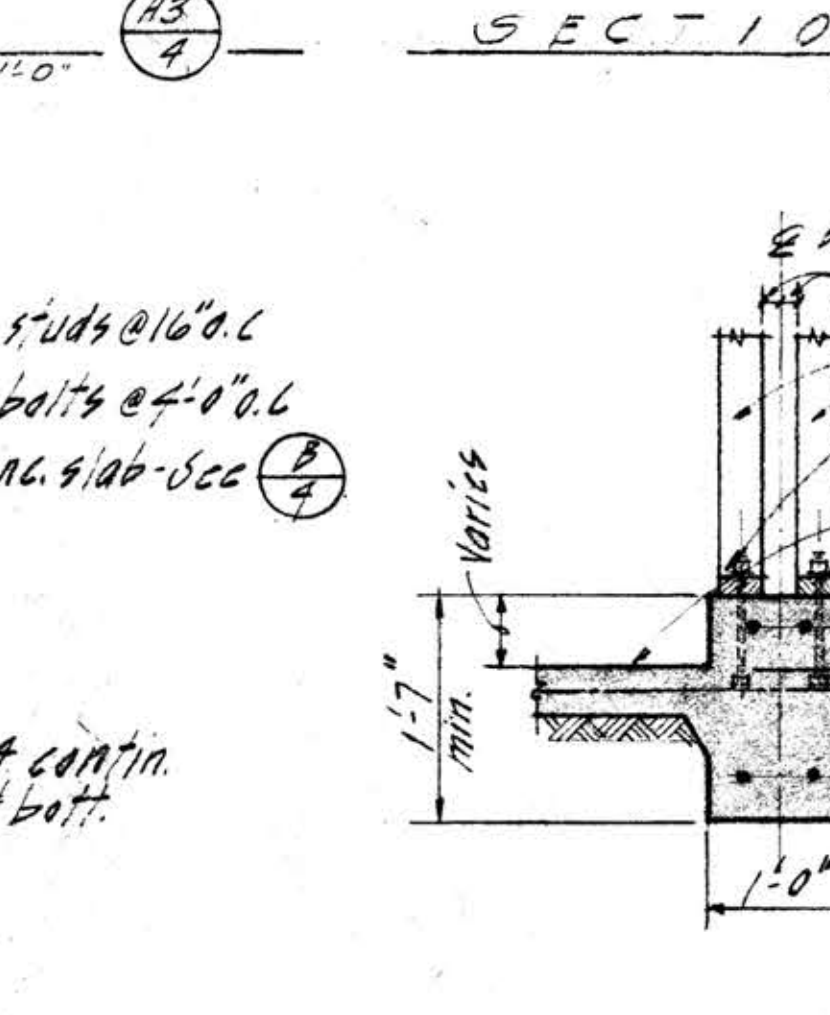
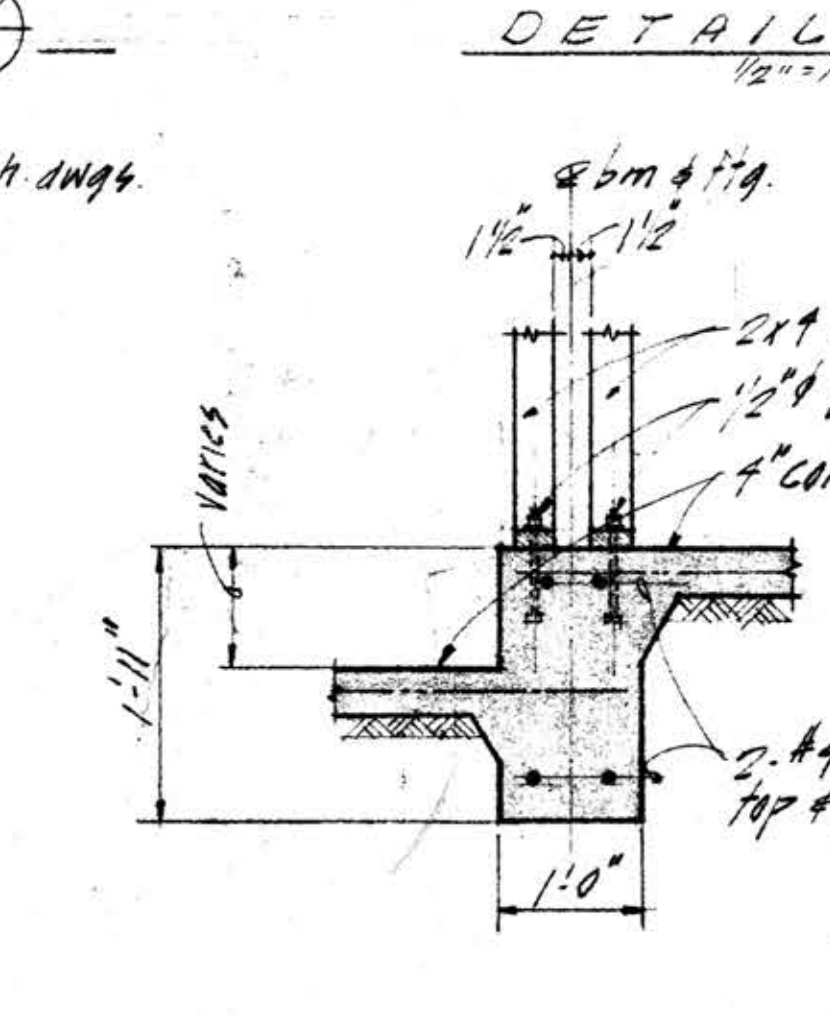
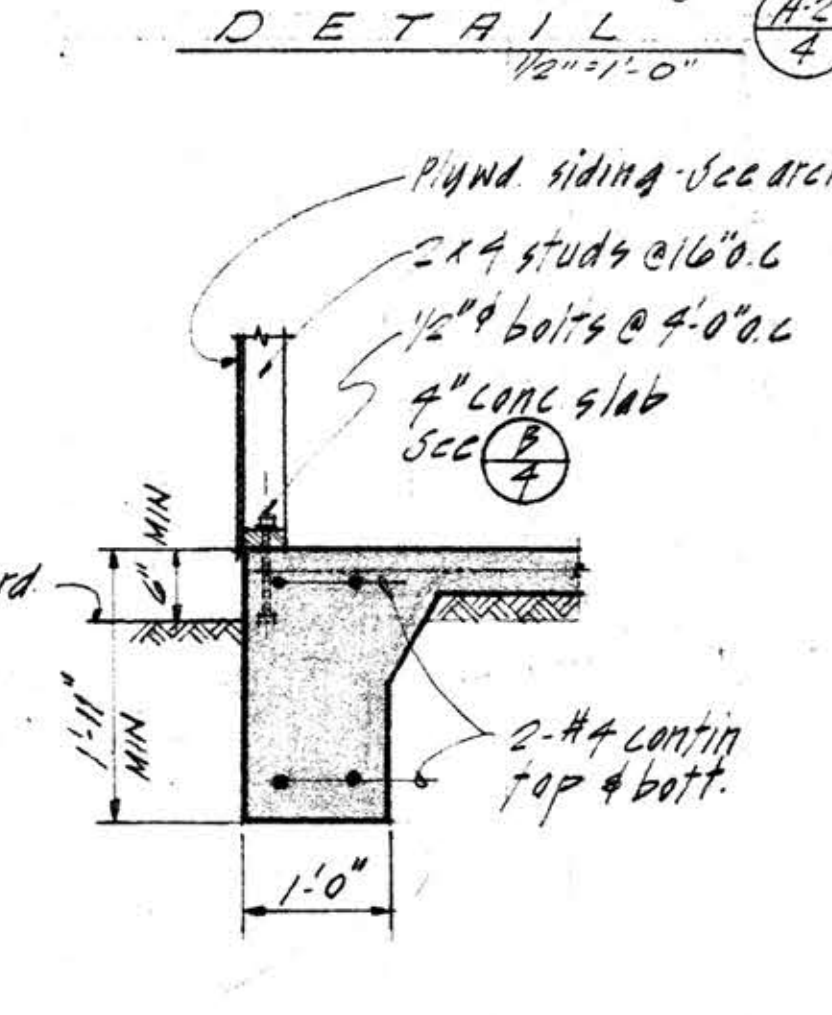
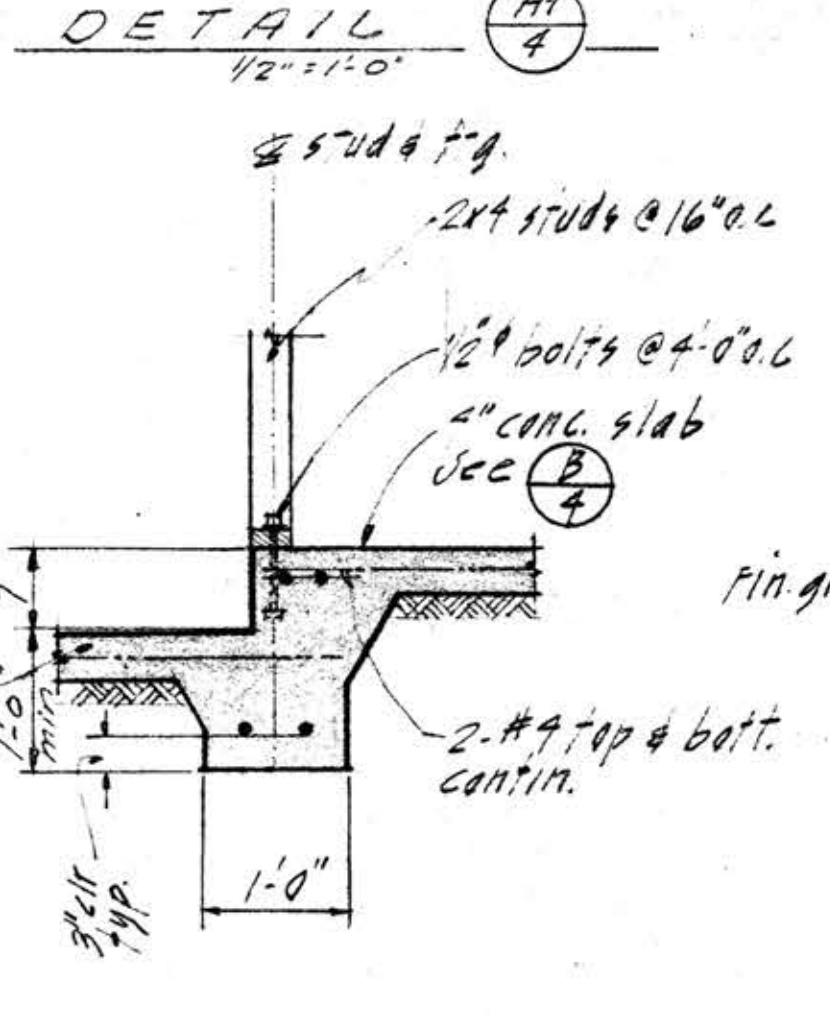
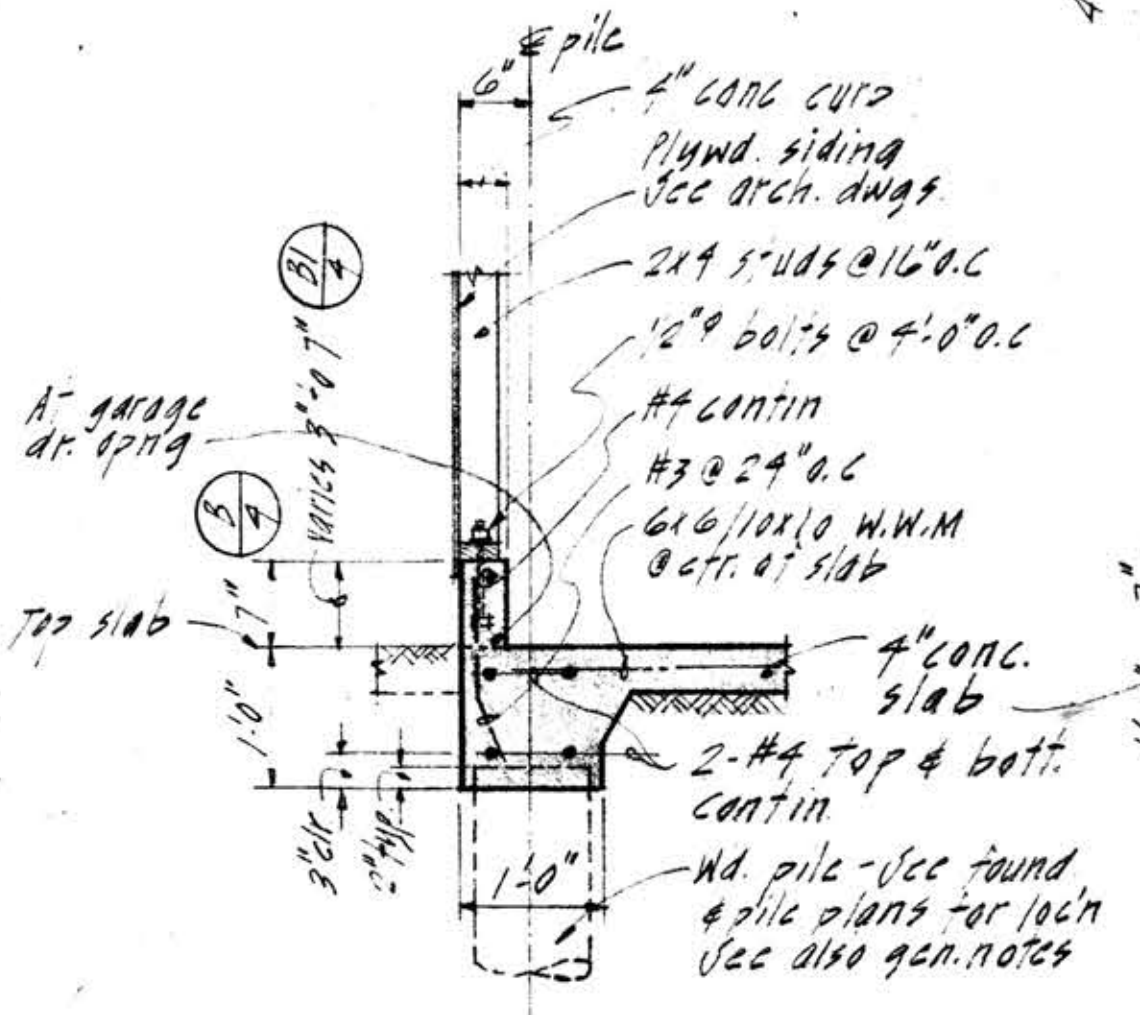
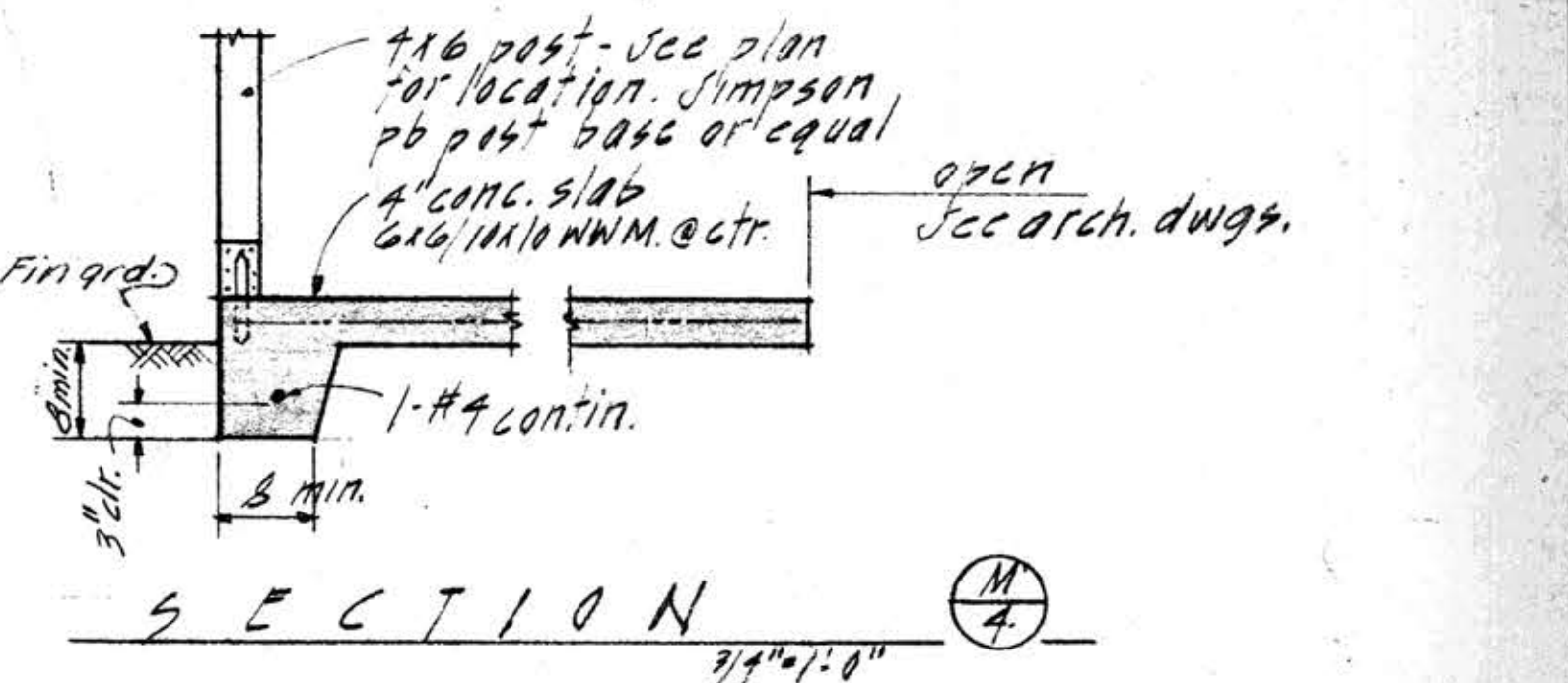
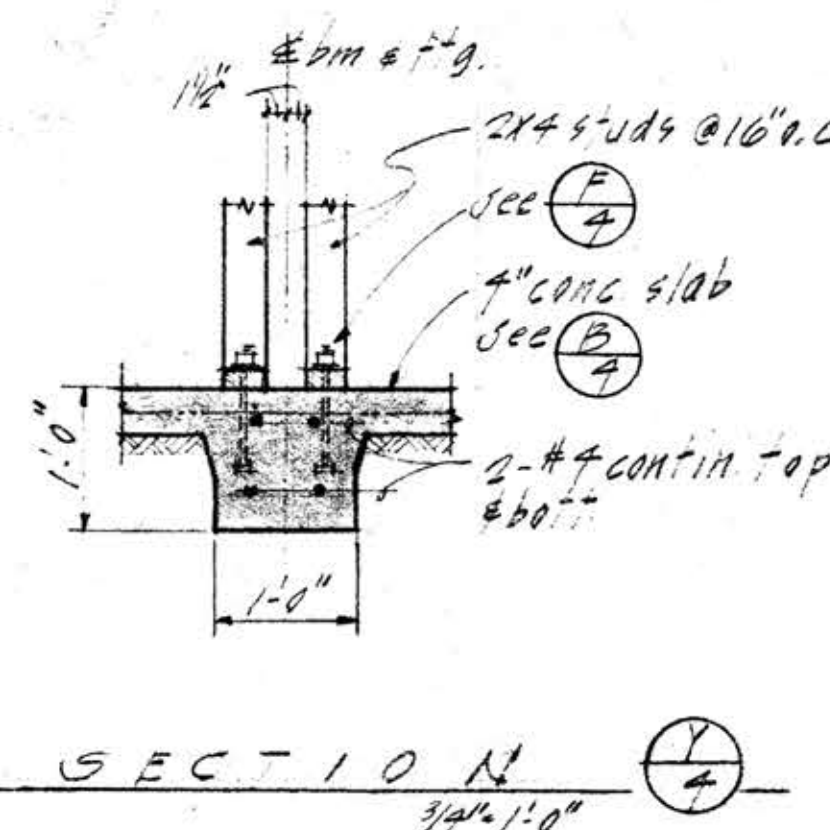
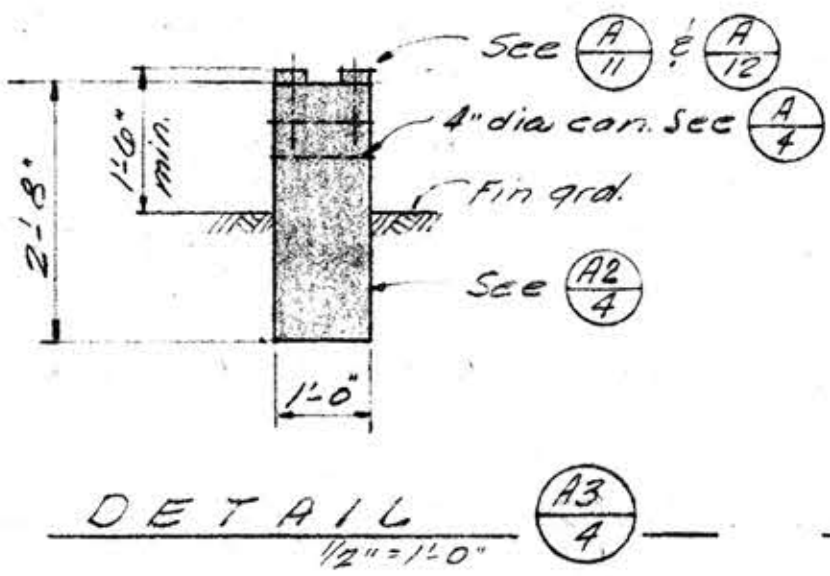
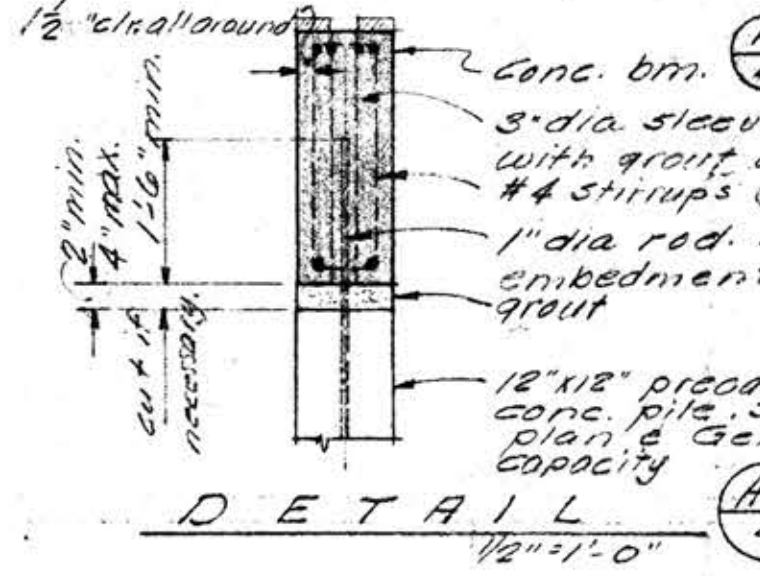
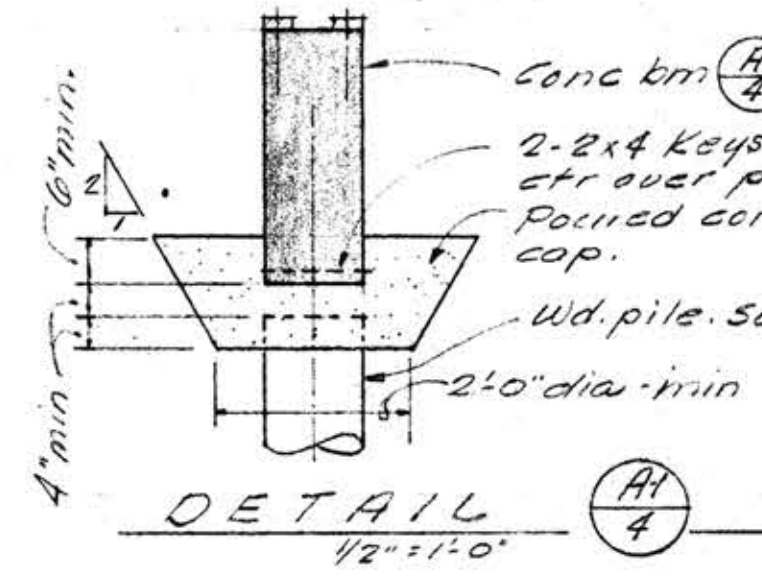
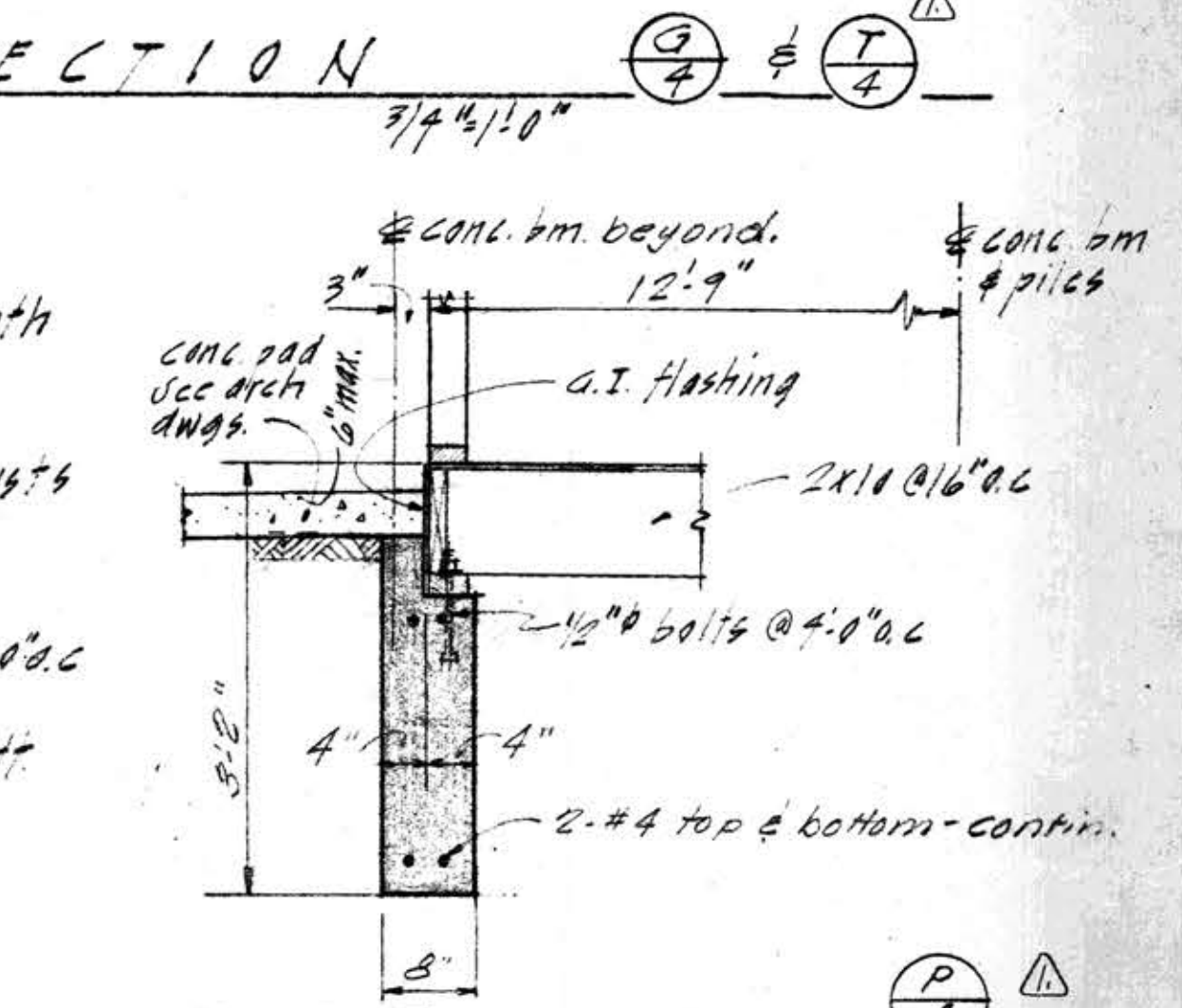
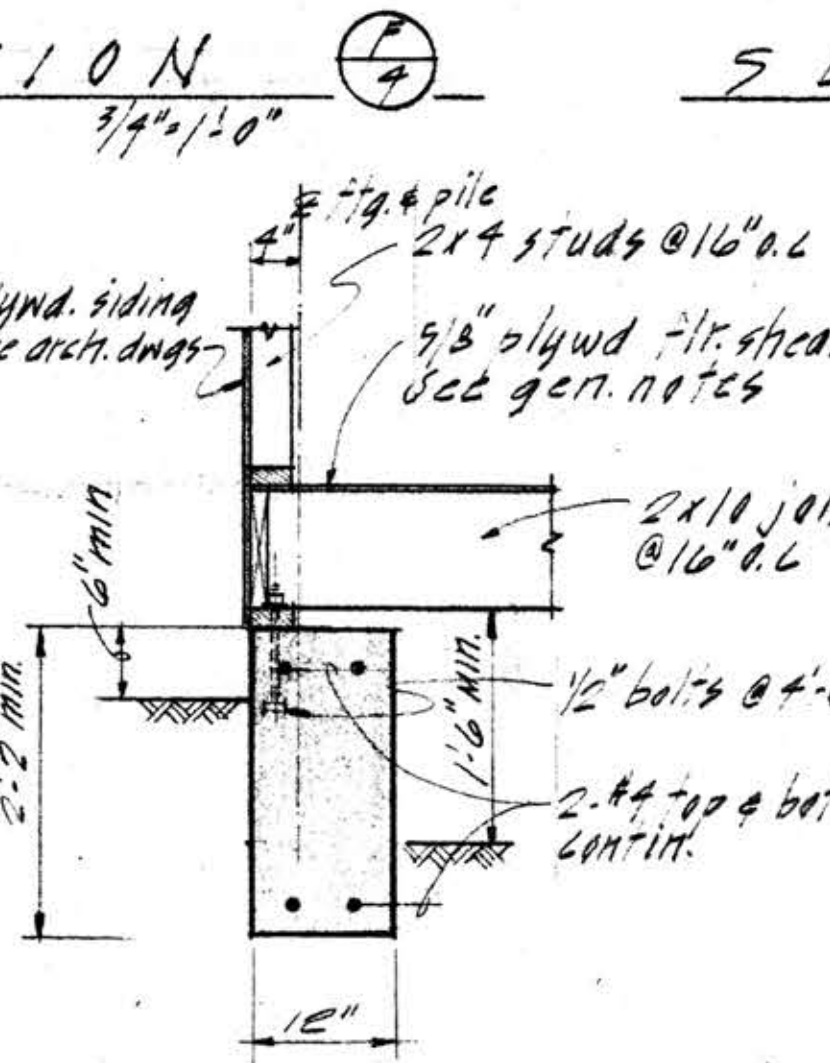
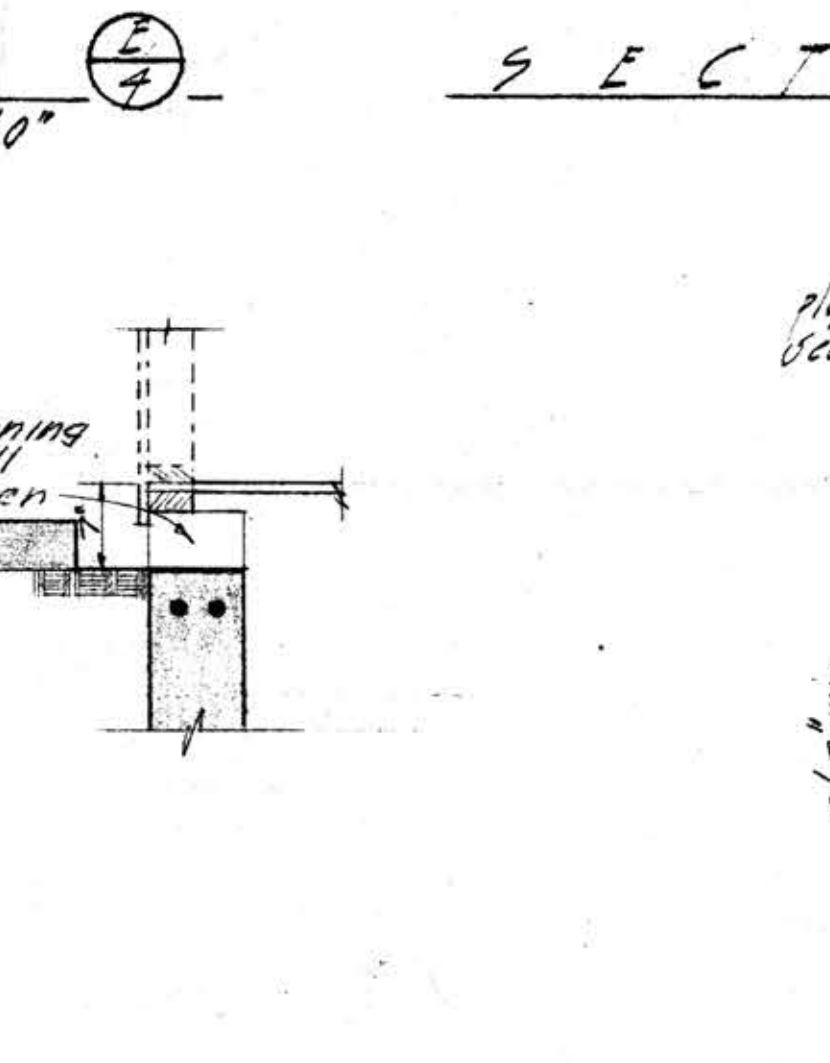
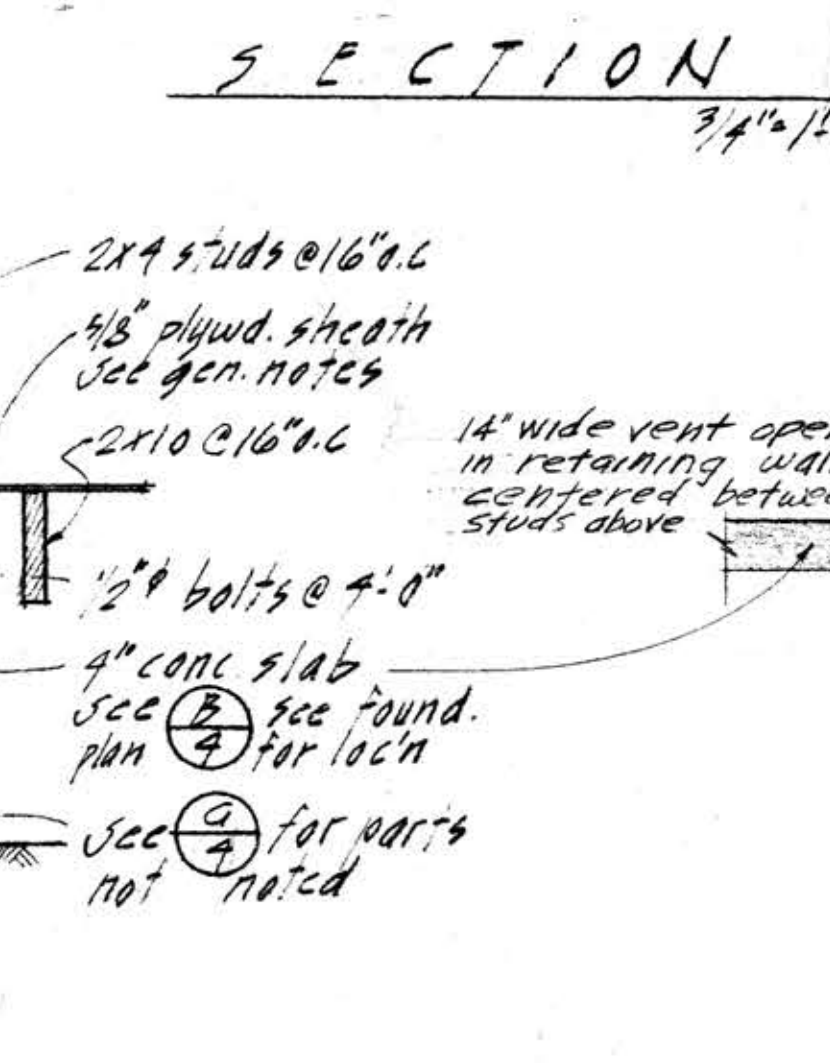
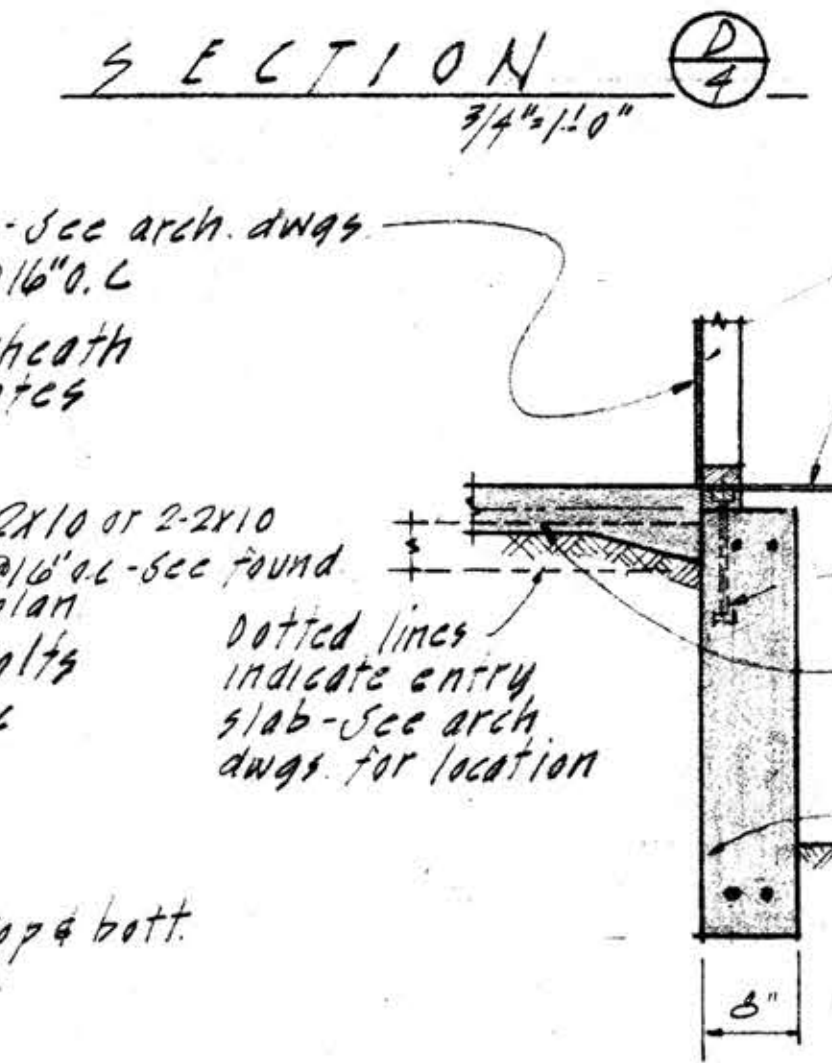
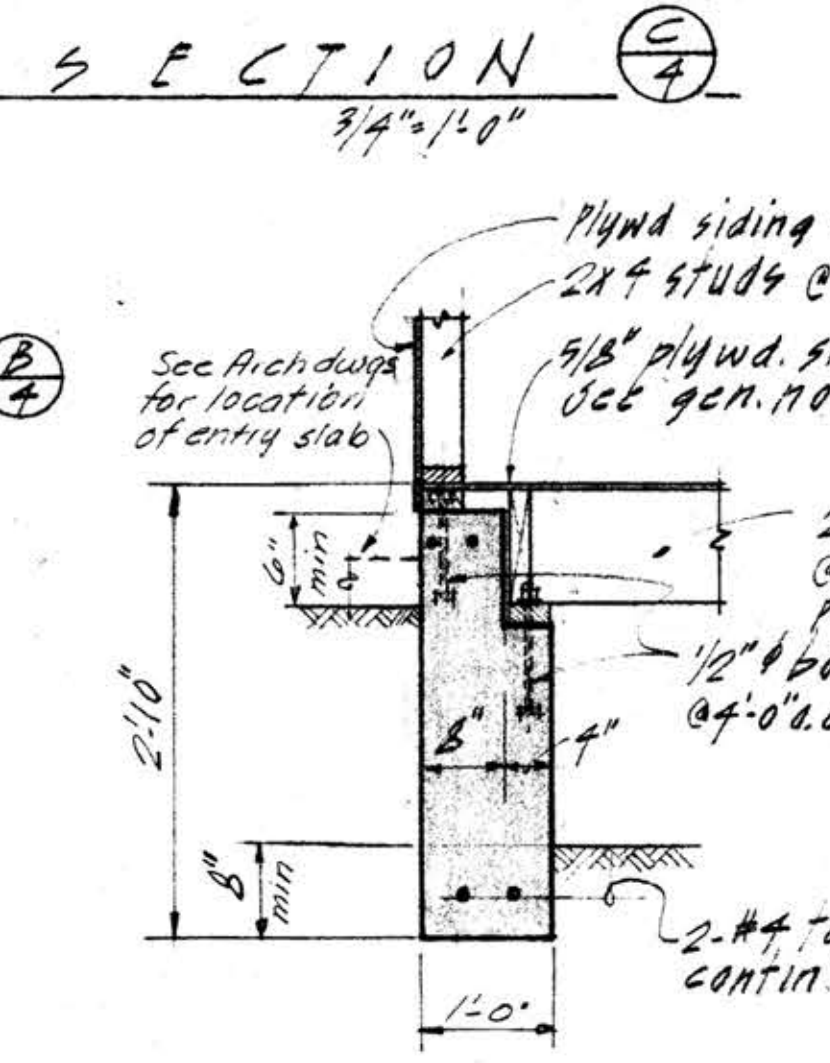
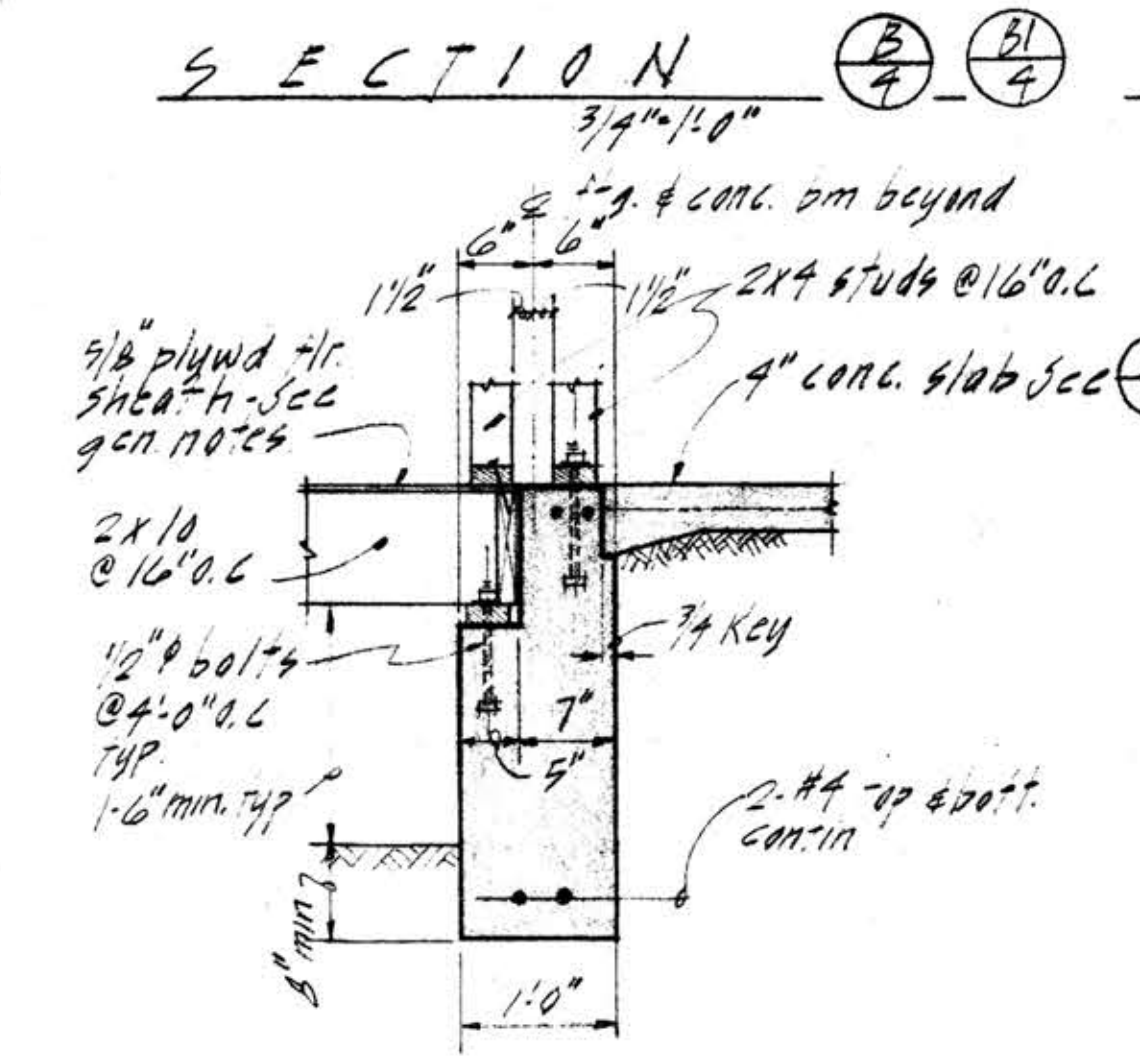


TYPICAL CONCRETE BEAM DTL B-1 & B-2



NOTES:
Where beam occurs, deep pen fig. to bottom of beam.
8" Section G/A
12" Section T/A



DATE	NO.	REVISION	BY
1/28/69	1	REVISED FIGS LISTED	UP
1/28/69	2	Omitted R2, Rev R2, R4	UP
1/28/69	3	Omitted R4	AD
1/28/69	4	Rev R4, Rev R4	UP